

BACKSTAGE[®] MAKEUP STATION MIRROR REPLACEMENT

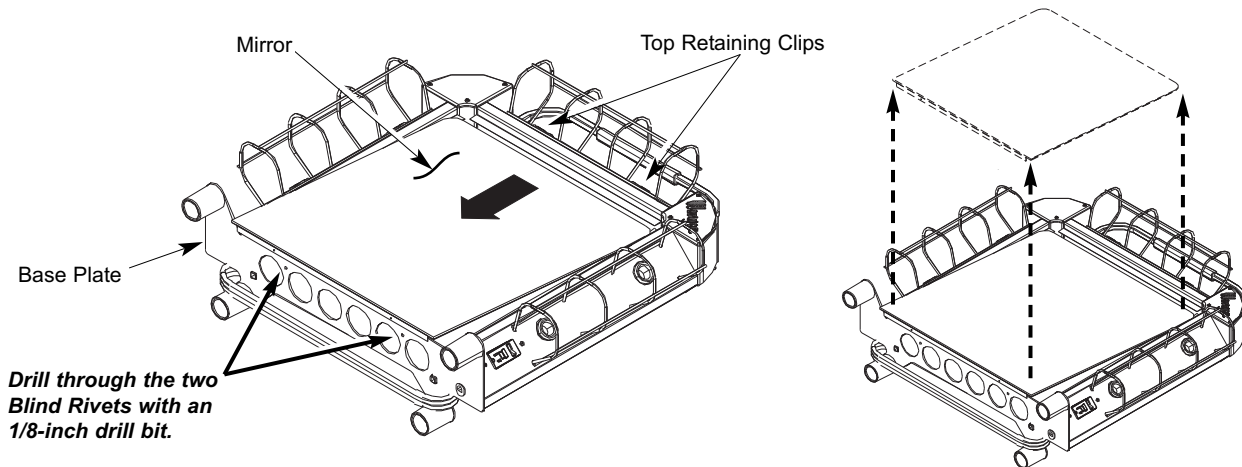
Warning: *Never replace a Backstage Makeup Station damaged mirror with the power cord connected to a power source. Failure to observe this warning can result in electric shock and serious injury.*

Warning: *Always wear non-slip work gloves and safety glasses when replacing a damaged mirror. Failure to observe this warning can result in serious injury.*

MIRROR REMOVAL

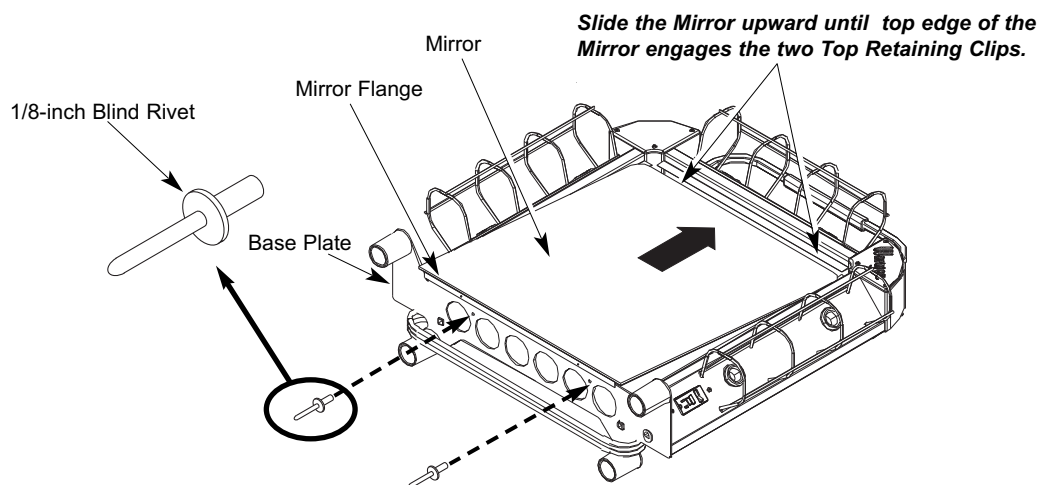
1. Using a cordless drill and a 1/8-inch drill bit, drill through the two blind rivets that hold the Mirror Flange to the Base Plate.
2. Wearing work gloves, slide the broken mirror downward disengaging the Top Retaining Clips.
3. Lift the old or damaged mirror away from the Frame.

Warning: *Dispose of the broken mirror in a safe manner. Failure to observe this warning can result in Injury from sharp edges of broken glass.*



INSTALL NEW MIRROR

1. Place the new Mirror against the Frame with the Mirror Flange at the bottom and the top edge about one-inch from the Top Retaining Clips.
2. Slide the new Mirror upward until the top edge of the Mirror engages the two Top Retaining Clips.
3. Using a Blind Rivet Tool, attach two 1/8-inch steel Blind Rivets to the two holes on the Mirror Flange and the Base Plate.



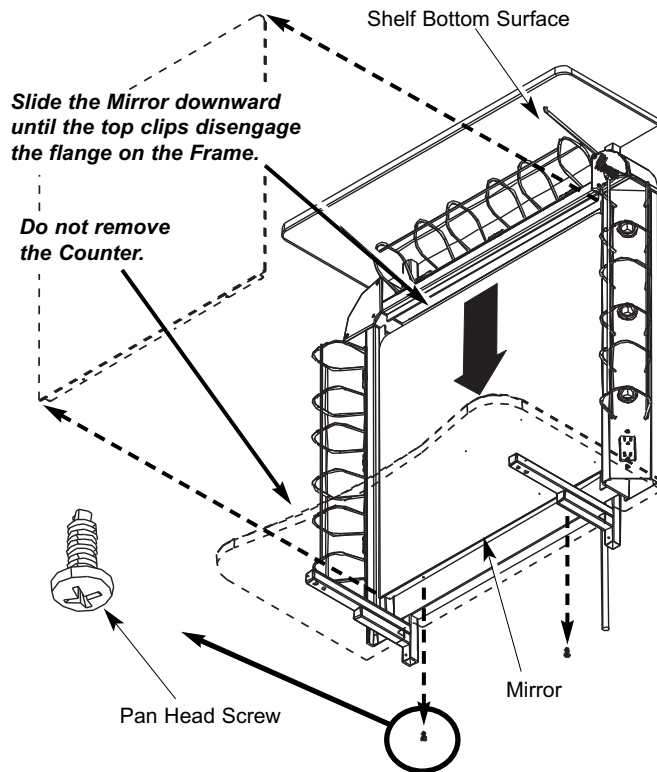
STUDIO® MAKEUP STATION MIRROR REPLACEMENT

MIRROR REMOVAL

Warning: Always wear non-slip work gloves and safety glasses when replacing a damaged mirror. Failure to observe this warning can result in serious injury.

1. With one person (wearing work gloves) holding the Mirror in place and a second person using a small phillips screwdriver (2-inch blade length) or offset phillips screwdriver, remove the two pan head screws that hold the mirror in place. Set the screws aside.
2. Using work gloves, slide the broken mirror downward about one inch and then lift the mirror away from the Station and set it aside.

Warning: Dispose of the broken mirror in a safe manner. Failure to observe this warning can result in Injury from sharp edges of broken glass.



INSTALL THE NEW MIRROR

Warning: Two people must work together to install the new mirror. Failure to observe this warning can result in damage (dropping) and personal injury.

1. With two people working together, place the Mirror against the Frame with Mirror Flange at the bottom and the top of the Mirror about an inch from the Top Retaining Clips.
2. Slide the Mirror upward until the Mirror Flange contacts the Frame and the top edge of the Mirror engages the Top Retaining Clips.
3. With one person holding the Mirror in place, use a small phillips screwdriver (2-inch blade length) or offset phillips screwdriver and attach the two Pan Head Screws (set aside when the broken Mirror was removed from the Frame) that hold the Mirror to the Frame.

Caution: Tighten the Pan Head Screws only enough to be snug. Over tightening the Screws will strip the threads in the Frame.

